

### Input

Input voltage	230 V <sub>AC</sub> /115 V <sub>AC</sub> , + 10 %, - 15 %
Input current	0.5 A nom.
Input power	70 VA nom.
Input frequency	47 Hz to 63 Hz
Power factor	0.68 (correction not necessary)
Switch	Switching to 115 Vac (slide switch S1)
Inrush current	< 20 A <sub>pk</sub> (limited by NTC)
Fuse	F5A, internal

### Output

	U <sub>a1</sub>	U <sub>a2</sub>	U <sub>a3/4</sub>
Output voltage	18 V	5 V	±15 V fixed
Output current	1.4 A	4 A	500 mA
Test values	0 mA to 600 mA Sensor supply	0.5 A to 2 A Digital consumers	50 mA to 100 mA Analogue consumers
Output ripple pp (20MHz)	< 60 mV	< 50 mV	< 10 mV
Dynamic regulation 25 % - 75 % Load	< 3 %	< 3 %	< 3 %
Line regulation	< 0.5 %	< 0.5 %	< 0.2 %
Load regulation 10 % - 90 % Load	< 2 %	< 2 %	< 2 %
Cross regulaton 10 % - 90 % Load	< 1 %	approx. 1 %	approx. 1 %
Efficiency	> 75 % at nom. load		

### Ambient conditions

Temperature range	-25 °C to +50 °C without power derating
Storage temperature range	-25 °C to +85 °C
Humidity	0 % to 90 % non-condensing

### Standards

Low voltage directive	2006/95/EG
Safety	EN 60950-1
High-voltage test	EN 60950-1
Clearance and creeping distances LPL	8 mm input – output 3.2 mm input – PE 2 mm output – PE
Leakage current	< 3.5 mA
EMC	2004/108/EG
RFI	EN 55011 - curve B
Radiation	EN 61000-4-3 Level A
ESD	EN 61000-4-2: 8 kV
Burst	EN 61000-4-4: 4 kV
Appliance class	I
Ingress protection	IP20 (front plate), otherwise IP00

### Protection

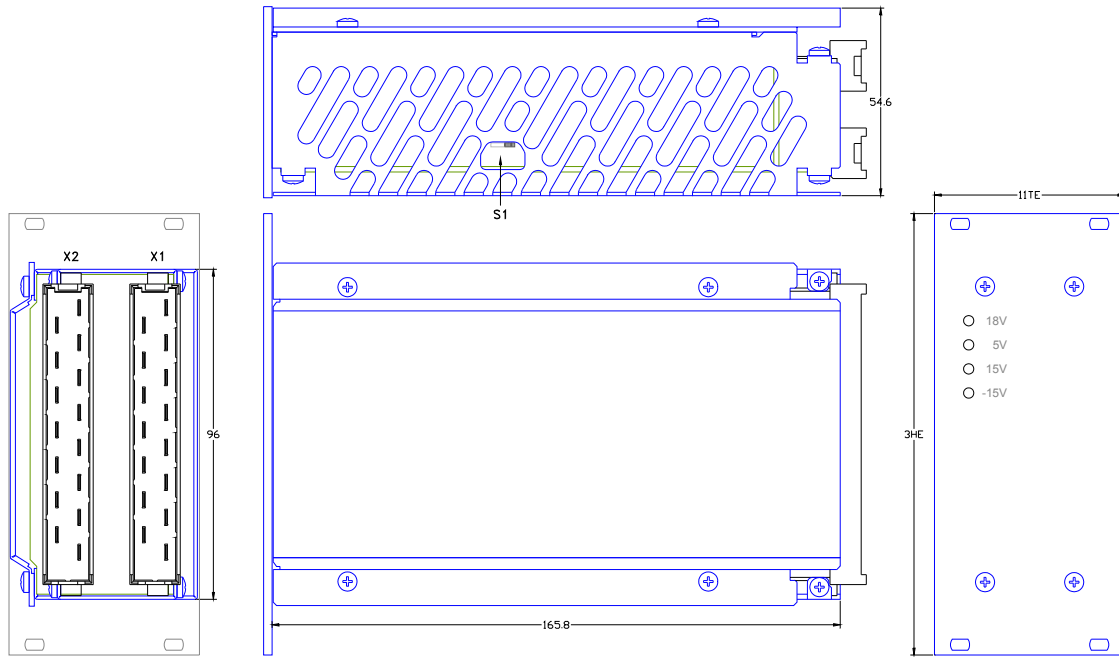
Power limiting	> 52 W, > 65 W for 10 sec.		
Current limiting	> 3 A	> 6 A	> 0.5 A
Over-voltage-protection	> 20 V	Reset: $U_e = 0$ V	

### Signals front side

U1	LED, green: U1 available and no protection in use
U2, U3, U4	One LED each; green: output voltage available

### Mechanics / mounting

Measurements	100 mm x 160 mm x 55 mm
Dimensions	3 U / 11 HP / 160 mm, front plate 11 HP
Weight	0.715 kg



**Drawing 1: chassis AB60/V534**

**interfaces**

Back sided X1

H15 TSR-Pinning

Back sided X2

H15 USR-Pinning (only output)

**X1: H15**

DIN 41612 H15	30	26	22	18	14	10	6	
Potential Earth	Neutral	Line		-15V(4)	0V(3)	18V(1)	5V(2)	
32	28	24	20	16	12	8	4	

**X2: H15**

DIN 41612 H15	30	26	22	18	14	10	6	
					18V(1)		0V(1)	
32	28	24	20	16	12	8	4	

**QUEL Produktions- und Vertriebs-GmbH**  
Hans-Sachs-Str. 2, 63755 Alzenau

Telefon +49 (6023) 9798-0, Fax: +49 (6023) 9798-18  
Email: [info@quel.de](mailto:info@quel.de), Internet: [www.quel.de](http://www.quel.de)

Subject to change. Data sheet **AB60**. Mod 4 - 23.11.2015  
DS\_AB60\_V534.doc  
Author: Jörg Ladeburg